

USER MANUAL

MODEL 2172A CopperLINK™ High Speed Ethernet Extender



CE This is a Class A device and is intended for use in a light industrial (commercial) environment only. It is not intended nor approved for use in a heavy industrial or residential environment.

PATTON
Electronics Co.



Part# 07M2172A-UM
Rev. A
Revised 4/8/10

SALES OFFICE
(301) 975-1000
TECHNICAL SUPPORT
(301) 975-1007

An ISO-9001 Certified
Company

CONTENTS

- 1.0 Warranty Information 4**
- 1.1 Regulatory Information 4
 - EMC Directive:..... 4
 - Low-Voltage Directive (Safety): 4
- 1.2 Radio and TV Interference (FCC Part 15) 4
- 1.3 CE Declaration of Conformity 5
- 1.4 Authorized European Representative 5
- 1.5 Service 5
- 1.6 Safety When Working With Electricity 6

- 2.0 General Information..... 8**
- 2.1 Features 8
- 2.2 Description 8

- 3.0 Installation 9**
- 3.1 Connecting the Twisted-Pair Line Interface 10
- 3.2 Connecting the 10/100Base-T Ethernet Interface 11
- 3.3 Connecting Power 12

- 4.0 Configuration 12**
- 4.1 Configuring the hardware DIP switches 12
- 4.2 Configuring DIP Switch S1 14

- 5.0 Operation 14**
- 5.1 Power Up 14
- 5.2 Front Panel LED Status Monitors 15

- A**
- Specifications 16**
- A.1 LAN Connection 16
- A.2 Transmission Line 16
- A.3 CopperLINK Line Rate and CopperLINK Distance 16
- A.4 LED Status Indicators 16
- A.5 Power Supply 16
- A.6 Temperature Range 16
- A.7 Humidity 16
- A.8 Dimensions 16

- B**
- Model 2172A Series Factory Replacement Parts and Accessories 17**

- C**
- Model 2172A Series Interface Pin Assignment 18**
- C.1 10/100Base-T Interface 18
 - RJ-45 18
- C.2 CopperLINK Interface 18
 - RJ-45 18

D

Distance Chart, Based on 24 AWG (0.5 MM) 19

1.0 WARRANTY INFORMATION

Patton Electronics warrants all Model 2172A components to be free from defects, and will—at our option—repair or replace the product should it fail within one year from the first date of the shipment.

This warranty is limited to defects in workmanship or materials, and does not cover customer damage, abuse or unauthorized modification. If this product fails or does not perform as warranted, your sole recourse shall be repair or replacement as described above. Under no condition shall **Patton Electronics** be liable for any damages incurred by the use of this product. These damages include, but are not limited to, the following: lost profits, lost savings and incidental or consequential damages arising from the use of or inability to use this product. **Patton Electronics** specifically disclaims all other warranties, expressed or implied, and the installation or use of this product shall be deemed an acceptance of these terms by the user.

Note Conformity documents of all Patton products can be viewed online at www.patton.com under the appropriate product page.

1.1 REGULATORY INFORMATION

EMC Directive:

- FCC Part 15, Class A
- EN55022, Class A
- EN55024

Low-Voltage Directive (Safety):

- UL60950-1/CSA C22.2 No. 60950-1
- IEC/EN60950-1 2nd Edition
- AS/NZS 60950-1
- A-tick

1.2 RADIO AND TV INTERFERENCE (FCC PART 15)

This device generates and uses radio frequency energy, and if not installed and used properly—that is, in strict accordance with the manufacturer's instructions—may cause interference to radio and television reception. The device has been tested and found to comply with the limits for a Class A computing device in accordance with specifications in Subpart B

of Part 15 of FCC rules, which are designed to provide reasonable protection from such interference in a commercial installation. However, there is no guarantee that interference will not occur in a particular installation. If the device does cause interference to radio or television reception, which can be determined by disconnecting the unit, the user is encouraged to try to correct the interference by one or more of the following measures: moving the computing equipment away from the receiver, re-orienting the receiving antenna and/or plugging the receiving equipment into a different AC outlet (such that the computing equipment and receiver are on different branches).

1.3 CE DECLARATION OF CONFORMITY

This device conforms to the requirements of Council Directive 2004/108/EC on the approximation of the laws of the member states relating to electromagnetic compatibility; and Council Directive 2006/95/EC on the approximation of the laws of the member states relating to electrical equipment designed for use within certain voltage limits.

The safety advice in the documentation accompanying this device shall be obeyed. The conformity to the above directive is indicated by CE mark on the device.

1.4 AUTHORIZED EUROPEAN REPRESENTATIVE

D R M Green
European Compliance Services Limited.
Avalon House, Marcham Road
Abingdon,
Oxon OX14 1UD, UK

1.5 SERVICE

All warranty and non-warranty repairs must be returned freight prepaid and insured to Patton Electronics. All returns must have a Return Materials Authorization number on the outside of the shipping container. This number may be obtained from Patton Electronics Technical Services at:

- Tel: **+1 (301) 975-1007**
- Email: **support@patton.com**
- URL: **http://www.patton.com**

Note Packages received without an RMA number will not be accepted.

1.6 SAFETY WHEN WORKING WITH ELECTRICITY



- This device contains no user serviceable parts. This device can only be repaired by qualified service personnel.
- Do not open the device when the power cord is connected. For systems without a power switch and without an external power adapter, line voltages are present within the device when the power cord is connected.
- For devices with an external power adapter, the power adapter shall be a listed Limited Power Source. The mains outlet that is utilized to power the device shall be within 10 feet (3 meters) of the device, shall be easily accessible, and protected by a circuit breaker in compliance with local regulatory requirements.
- For AC powered devices, ensure that the power cable used meets all applicable standards for the country in which it is to be installed.
- For AC powered devices which have 3 conductor power plugs (L1, L2 & GND or Hot, Neutral & Safety/Protective Ground), the wall outlet (or socket) must have an earth ground.
- For DC powered devices, ensure that the interconnecting cables are rated for proper voltage, current, anticipated temperature, flammability, and mechanical serviceability.
- WAN, LAN & PSTN ports (connections) may have hazardous voltages present regardless of whether the device is powered ON or OFF. PSTN relates to interfaces such as telephone lines, FXS, FXO, DSL, xDSL, T1, E1, ISDN, Voice, etc. These are known as “hazardous network voltages” and to avoid electric shock use caution when working near these ports. When disconnecting cables for these ports, detach the far end connection first.
- Do not work on the device or connect or disconnect cables during periods of lightning activity.



In accordance with the requirements of council directive 2002/96/EC on Waste of Electrical and Electronic Equipment (WEEE), ensure that at end-of-life you separate this product from other waste and scrap and deliver to the WEEE collection system in your country for recycling.



This device is **NOT** intended nor approved for connection to the PSTN. It is intended only for connection to customer premise equipment.



Electrostatic Discharge (ESD) can damage equipment and impair electrical circuitry. It occurs when electronic printed circuit cards are improperly handled and can result in complete or intermittent failures. Do the following to prevent ESD:

- Always follow ESD prevention procedures when removing and replacing cards.
- Wear an ESD-preventive wrist strap, ensuring that it makes good skin contact. Connect the clip to an unpainted surface of the chassis frame to safely channel unwanted ESD voltages to ground.
- To properly guard against ESD damage and shocks, the wrist strap and cord must operate effectively. If no wrist strap is available, ground yourself by touching the metal part of the chassis.

2.0 GENERAL INFORMATION

Thank you for your purchase of this Patton Electronics product. This product has been thoroughly inspected and tested and is warranted for one year for parts and labor. If any questions or problems arise during installation or use of this product, contact Patton Electronics Technical Support at +1 (301) 975-1007.

2.1 FEATURES

- Variable rate CopperLINK extender - Easy to configure
- Auto-MDIX Ethernet
- Configurable 10/100, Full/Half, and Auto-Negotiating Ethernet
- Extends network connections up to 4,250 ft (1.3 km) over 2-wire 24-AWG unconditioned lines
- Switch selectable line rates up to 50 Mbps (symmetrical)
- Symmetric or asymmetric settings via DIP switch
- Transparent operation
- LED indicators for Power, Link, Ethernet Link & Activity, and Remote/Local

2.2 DESCRIPTION

The Patton Electronics Model 2172A CopperLink modems provide high-speed LAN connections between peered Ethernet LANs, remote PC's, or any other network enabled 10/100Base-T device.

Operating in pairs, one Model 2172A is configured as the (L) Local unit located at one end of the LAN extension and the other Model 2172A is configured as the (R) Remote unit at the other end. The Model 2172A is configured as a L or R via the switch on the bottom of the unit. These units can automatically forward LAN broadcasts, multicasts, and frames across a 2-wire voice-grade twisted-pair link. The data is passed transparently (unmodified) through the 2172As. The 2172As automatically add and delete MAC addresses, only passing packets across the CopperLINK link that are meant for the remote peered LAN.

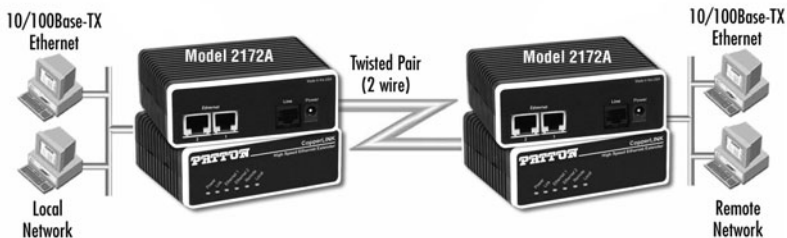


Figure 1. Typical application

The pair of 2172A models work together to create a transparent extension between two peered Ethernet LANs. Figure 1 shows a typical point-to-point application.

3.0 INSTALLATION



The interconnecting cables shall be acceptable for external use and shall be rated for the proper application with respect to voltage, current, anticipated temperature, flammability, and mechanical serviceability.

To install the 2172A Ethernet Extender, do the following:

1. Connect the line interface between the units (refer to section 3.1, “Connecting the Twisted-Pair Line Interface” on page 10)

Note See Figure 2 for the standalone unit’s rear panel arrangements.

2. Connect the Ethernet interface (refer to section 3.2, “Connecting the 10/100Base-T Ethernet Interface” on page 11).
3. Connect the power plug (refer to section 3.3, “Connecting Power” on page 12).

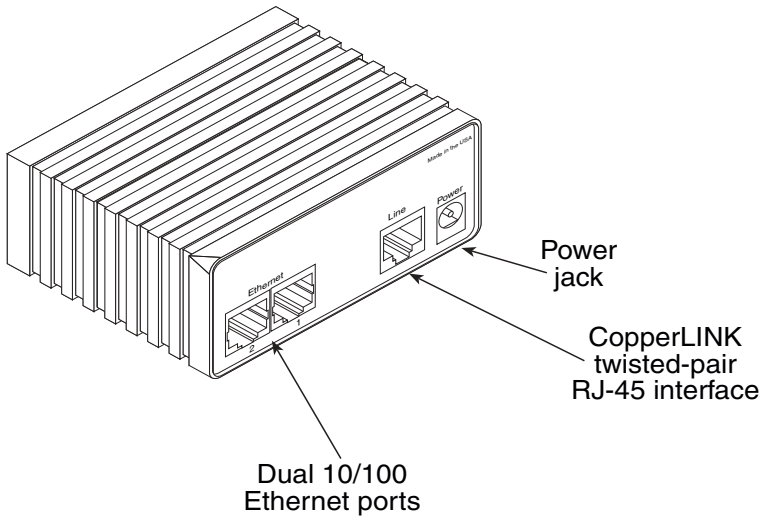


Figure 2. Model 2172A standalone rear panel

3.1 CONNECTING THE TWISTED-PAIR LINE INTERFACE



The interconnecting cables shall be acceptable for external use and shall be rated for the proper application with respect to voltage, current, anticipated temperature, flammability, and mechanical serviceability.

The Model 2172A supports communication between two peer Ethernet LAN sites over a distance of up to 4,250 ft (1.3 km) over 24 AWG (0.5 mm) twisted-pair wire.

Note Actual distance and link performance may vary depending on the environment and type/gauge of wire used.

Follow the steps below to connect the Model 2172A CopperLINK Interfaces.

Note The Model 2172A units work in pairs. One of the units must be configured as a (L) Local unit, and the other unit must be configured as a (R) Remote unit. It does not matter which end is the L and which is the R. The link is always initiated by the R unit. As long as the L unit is powered on, the R unit can establish a link by being powered on or by having its power reset.

1. To function properly, the two Model 2172As must be connected together using twisted-pair, unconditioned, dry, metal wire, between 19 (0.9mm) and 26 AWG (0.4mm). Leased circuits that run through signal equalization equipment are not acceptable.
2. The Model 2172A is equipped with an RJ-45 interface jack that can be used on the CopperLINK interface. The CopperLINK interface is a two-wire interface. Observe the signal/pin relationships on the Model 2172A's CopperLINK interface jack.

The RJ-45 connector on the Model 2172A's twisted pair interface is polarity insensitive and is wired for a two-wire interface. The signal/pin relationship is shown in Figure 3.

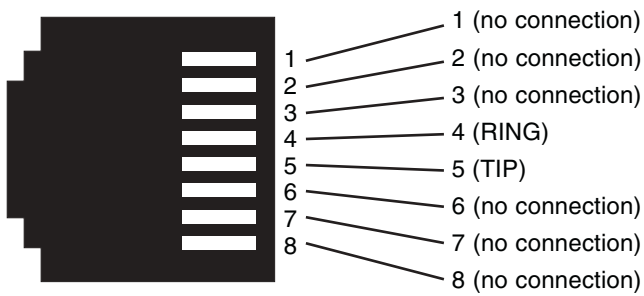


Figure 3. Model 2172A (RJ-45) twisted pair line interface.

3.2 CONNECTING THE 10/100BASE-T ETHERNET INTERFACE



The interconnecting cables shall be acceptable for external use and shall be rated for the proper application with respect to voltage, current, anticipated temperature, flammability, and mechanical serviceability.

The shielded RJ-45 ports labeled *Ethernet* are the Auto-MDIX10/100Base-T interface. These ports are designed to connect directly to a 10/100Base-T network. Figure 4 shows the signal/pin relationships on this interface. You may connect this port to a hub or PC using a straight through or crossover cable that is up to 328 ft long.

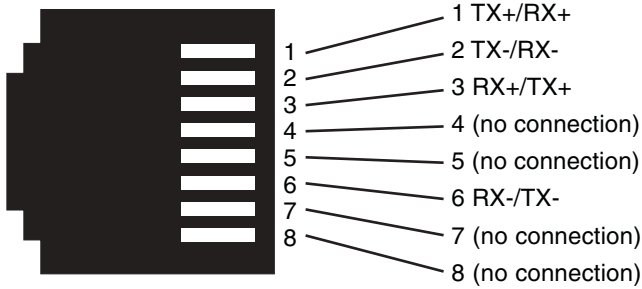


Figure 4. Model 2172A 10/100Base-T RJ-45 Connector Pinout.

3.3 CONNECTING POWER



The interconnecting cables shall be acceptable for external use and shall be rated for the proper application with respect to voltage, current, anticipated temperature, flammability, and mechanical serviceability.

The Model 2172A does not have a power switch, so it powers up as soon as it is plugged in.

An external AC or DC power supply is available separately. This connection is made via the barrel jack on the rear panel of the Model 2172A. No configuration is necessary for the power supply (See Appendix B for domestic and international power supply and cord options).

DC power (supplied via the power supply jack to the 2172A) must meet the following requirements; DC power supplied must be regulated +5VDC $\pm 5\%$, 1.0A minimum. Center pin is +5V. The barrel type plug has a 2.5/5.5/10mm I.D./O.D./Shaft Length dimensions.

4.0 CONFIGURATION

The Model 2172A has four DIP switches (S1) for configuring the unit for a wide variety of applications. This section describes switch locations and explains the different configurations.

4.1 CONFIGURING THE HARDWARE DIP SWITCHES

Using a small flat-tip screwdriver, remove the protective cover located on the underside of the Model 2172A (see Figure 5).

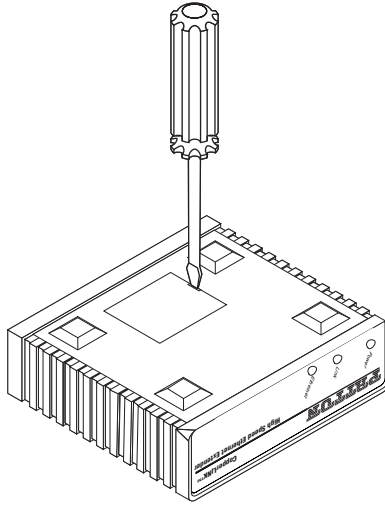


Figure 5. Removing protective cover

Figure 6 on page 13 shows the orientation of the DIP switches in the On and Off positions.

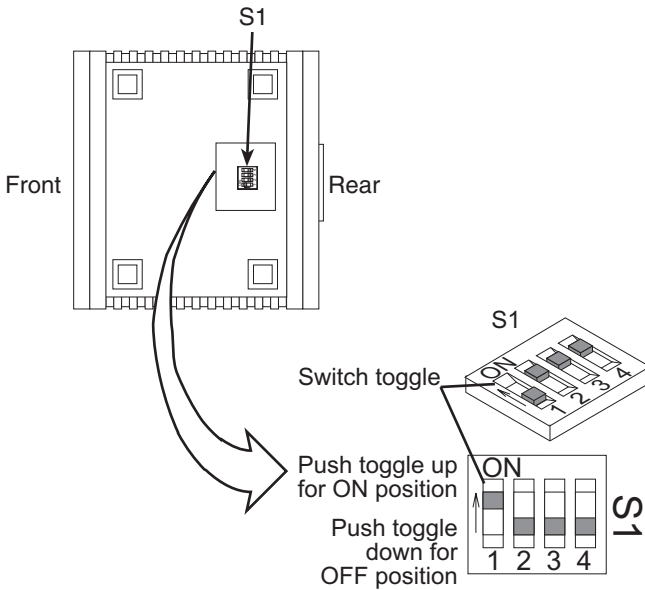


Figure 6. DIP switch orientation

4.2 CONFIGURING DIP SWITCH S1

DIP switch S1 is where you configure the CopperLINK line. The following tables describe the configuration for the 2172A.

Table 1: 2172A Firmware Configuration

Position	S1-1	S1-2	S1-3	S1-4
	Master/Slave	Rate		
ON	Slave (CPE)	4/1, 15/2, 50/2, 10/10, 25/25, 50/50 Rate Control (See table below).		
OFF	Master (CO)			

S1-2	S1-3	S1-4	Rate (DS/US)*
OFF	OFF	OFF	4/1
ON	OFF	OFF	15/2
OFF	ON	OFF	50/2
ON	ON	OFF	10/10
OFF	OFF	ON	25/25
ON	ON	ON	50/50

*. DS = Downstream, US = Upstream

5.0 OPERATION

Once the Model 2172As are properly installed, they should operate transparently. No user settings required. This section describes reading the LED status monitors.

5.1 POWER UP

Before applying power to the Model 2172A, please review section 3.3, "Connecting Power" on page 12 to verify that the unit is connected to the appropriate power source.

5.2 FRONT PANEL LED STATUS MONITORS

The Model 2172A features six front panel LEDs that monitor power, the Ethernet signals, the CopperLINK connection, and the remote/local setting. Figure 7 shows the front panel location of each LED. Table 2 on page 15 describes the LED functions.

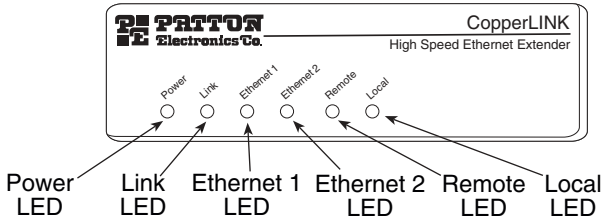


Figure 7. Model 2172A front panel

Table 2: Front panel LED description

LED	Status	Description
Power	Green	The device is powered on.
	Off	The device is powered off.
CopperLink	Green	The port is connected.
	Blinking Green	Data transeiving.
	Off	No valid link on this port.
Ethernet	Green	The port is connected.
	*Blinking Green	Data transeiving.
Local	Green	The device acts in Local mode.
	Off	Local mode is off.
Remote	Green	The device acts in Remote mode.
	Off	Remote mode is off.

*. Once the unit connects to a power source, the Ethernet LEDs will blink as the 2172A automatically looks for the other unit in the pair.

APPENDIX A

SPECIFICATIONS

A.1 LAN CONNECTION

- Two shielded RJ-45, 10/100Base-T, IEEE 802.3 Ethernet
- CopperLINK Connection: Shielded RJ-45

A.2 TRANSMISSION LINE

Two-wire unconditioned twisted pair.

A.3 COPPERLINK LINE RATE AND COPPERLINK DISTANCE

- Line Rate: 50/50 Mbps, upstream/downstream. Additional five line rates are available via DIP switch settings.
- Distance: 4,250 ft (1.3 km) at 1 Mbps upstream/4 Mbps downstream

Note Distances depend on selected line rate and line conditions. See Appendix D on page 19 for details.

A.4 LED STATUS INDICATORS

- Power (Green)
- CopperLINK: Link (Green)
- Ethernet: Link (Green) & Activity (Flashing Green)
- Remote (Green)
- Local (Green)

A.5 POWER SUPPLY

External AC and DC options:

- AC: 120 VAC, 220 VAC, and UI (120–240 VAC)
- DC: 12 VDC, 24 VDC and 48 VDC
- Power consumption: 860mA at 5V

A.6 TEMPERATURE RANGE

0–40°C

A.7 HUMIDITY

Up to 90% non-condensing.

A.8 DIMENSIONS

1.58H x 4.16W x 3.75D in. (10.6H x 4.1W x 8.8D cm)

APPENDIX B
MODEL 2172A SERIES FACTORY
REPLACEMENT PARTS AND ACCESSORIES

Patton Model #	Description
Base Models	
2172A/E	CopperLINK Multi Rate 100 Mbps Ethernet Extender; No power supply
2172A/E-2PK	CopperLINK Multi Rate 100 Mbps Ethernet Extender Kit (2 units preset to local and remote); No power supply
2172A/EUI-2PK	CopperLINK Multi Rate 100 Mbps Ethernet Extender Kit (2 units preset to local and remote); 110-240VAC
07M2172A-UM	User Manual
Power Supplies	
08055DCUI	100-240VAC (+5V reg. DC/2A) Universal Input Adapter.
08055-120-5-1	120 VAC (+5V reg. DC/1A) Input Adapter
12V-PSM	12 VDC Input Adapter
24V-PSM	24 VDC Input Adapter
48V-PSM	48 VDC Input Adapter
Power Cords*	
0805US	American Power Cord
0805EUR	European Power Cord CEE 7
0805UK	United Kingdom Power Cord
0805AUS	Australian Power Cord
0805DEN	Denmark Power Cord
0805FR	France/Belgium Power Cord
0805IN	India Power Cord
0805IS	Israel Power Cord
0805JAP	Japan Power Cord
0805SW	Switzerland Power Cord

*Only required with optional UI power supply (08055DCUI)

APPENDIX C

MODEL 2172A SERIES INTERFACE PIN ASSIGNMENT

C.1 10/100BASE-T INTERFACE

RJ-45

- Pin 1: TX+
- Pin 2: TX-
- Pin 3: RX+
- Pin 6: RX-
- Pins 4, 5, 7, 8: no connection

C.2 COPPERLINK INTERFACE

RJ-45

- Pin 4: RING
- Pin 5: TIP
- Pins 1, 2, 3, 6, 7, 8: no connection

APPENDIX D

DISTANCE CHART, BASED ON 24 AWG (0.5 MM)

Line Rate	Distance in feet (km)	Throughput at Max Distance (bits per second)
4/1	4250 ft (1.3 km)	4,629,408 (DS) 1,175,328 (US)
15/2	3500 ft (1.0 km)	17,271,744 (DS) 2,350,656 (US)
50/2	1250 ft (0.3 km)	55,158,432 (DS) 2,351,328 (US)
10/10	3750 ft (1.1 km)	11,538,240 (DS) 11,544,288 (US)
25/25	1750 ft (0.5 km)	28,742,112 (DS) 28,742,112 (US)
50/50	1000 ft (0.3 km)	55,352,640 (DS) 55,474,272 (US)

Note The actual distance and link performance may vary depending on the environment and type/gauge of wire used.

Note DS = downstream, US = upstream

Copyright © 2010.
Patton Electronics Company
All Rights Reserved.